

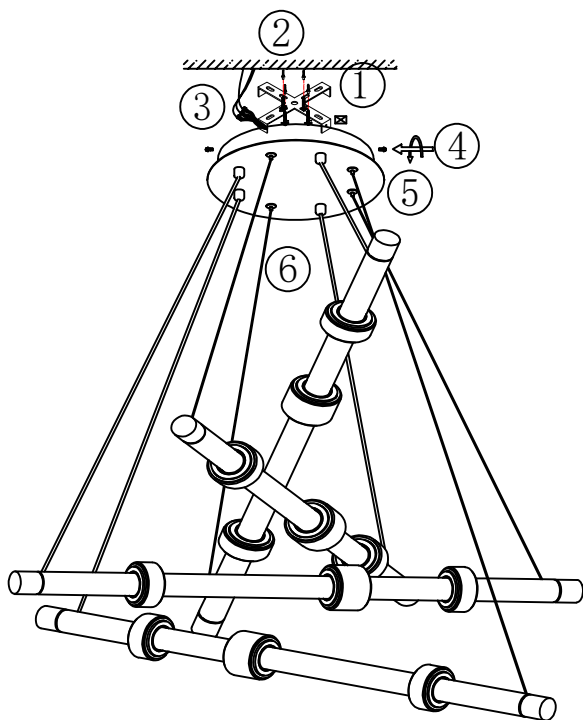
## Gio Chandelier set of 4 product manual

---

### A、 Precautions

Note: before installation, make sure that the power supply has been disconnected, and be careful of electric shock!

- 1 . Carefully open the package and place the parts.
- 2 . According to the requirements of watt mark on the lamp head, install a bulb (not included) with the maximum wattage, and finally turn on the power switch.
- 3 . If the wire of the lamp is damaged, the wire shall be replaced by the manufacturer's service agent or qualified person to avoid danger.
- 4 . This lamp can only be used in non humid room with a maximum rated temperature of 30 °C.
- 5 . The minimum distance between the light source and the object is 0.8m.
- 6 . Cleaning of lamps (please disconnect the power supply)
  - 1 . Please use a soft cloth to wipe the dust on the lamp body
  - 2 . Please use neutral solvent to clean the glass and do not use abrasive paper and wire brush to clean the lamp.



### B、 Installation procedure

- 1 . Cut off the power supply and wear gloves before assembling the lamp
  - 2 . Fix the hanging board (2) on the ceiling with self tapping screws (1)
  - 3 . Fix the wire (3) on the straight side basin (4) and fix the safety screw
  - 4 . Connect the wire (3) to the power supply with the terminal cap (5)
  - 5 . Fix the wire rope (6) on the straight side basin (4) and fix the safety screw
  - 6 . Connect the lamp body wire with the external wire with the terminal (8), l for the fire wire, n for the neutral wire, and the ground wire
  - 7 . Fix the straight side plate (4) on the hanging plate (2) with screws (7)
  - 8 . Adjust the length of wire (7) and steel wire (4)
-