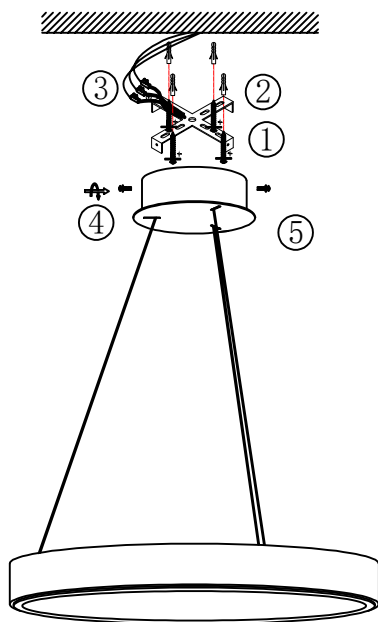


A、 Precautions

Note: before installation, make sure that the powersupply has been disconnected, and be careful of electric shock!

1. Carefully open the package and place the parts.
2. According to the requirements of watt mark on the lamp head, install a bulb (not included) with the maximum wattage, and finally turn on the power switch.
3. If the wire of the lamp is damaged, the wire shall be replaced by the manufacturer's service agent or qualified person to avoid danger.
4. This lamp can only be used in non humid room with a maximum rated temperature of 30 °C.
5. The minimum distance between the light source and the object is 0.8m.
6. Cleaning of lamps (please disconnect the power supply)
 - 1). Please use a soft cloth to wipe the dust on the lamp bod
 - 2). Please use neutral solvent to clean the glass and do not use abrasive paper and wire brush to clean the lamp



B、 Installation procedure

1. Cut off the power supply and wear gloves before assembling the lamp
 2. Fix the hanging plate (2) to the ceiling using self tapping screws (1)
 3. Connect the lamp body wires with the external wires by the terminal (3). L means the connection wires, N means the connection zero wires, and grounding wires
 4. Fix the straight edge plate (5) to the hanging plate (2) with screws (4)
-