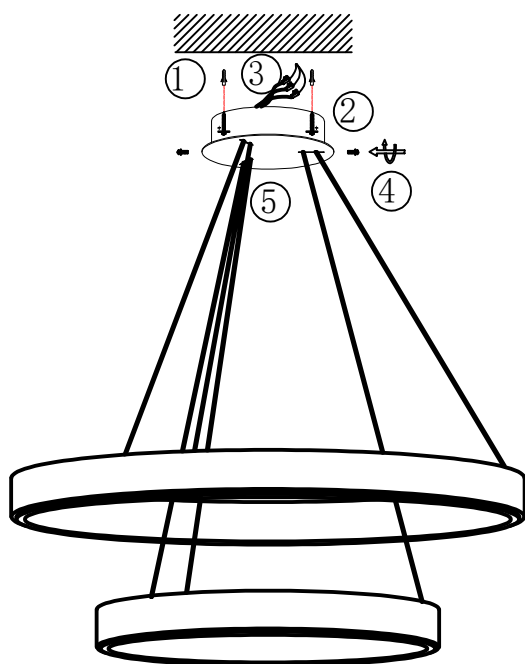


### A、 Precautions

Note: before installation, make sure that the powersupply has been disconnected, and be careful of electric shock!

- 1 . Carefully open the package and place the parts.
- 2 . According to the requirements of watt mark on the lamp head, install a bulb (not included) with the maximum wattage, and finally turn on the power switch.
- 3 .If the wire of the lamp is damaged, the wire shall be replaced by the manufacturer's service agent or qualified person to avoid danger.
- 4 .This lamp can only be used in non humid room with a maximum rated temperature of 30 °C.
- 5 . The minimum distance between the light source and the object is 0.8m.
- 6 .Cleaning of lamps (please disconnect the power supply)
  - 1) . Please use a soft cloth to wipe the dust on the lamp bod
  - 2) . Please use neutral solvent to clean the glass and do not use abrasive paper and wire brush to clean the lamp



### B、 Installation procedure

- 1 . Cut off the power supply and wear gloves before assembling the lamp
  - 2 . Fix the chassis (2) to the ceiling using self tapping screws (1)
  - 3 . Connect the lamp body wires with the external wires by the terminal (3). L means the connection wires, N means the connection zero wires, and grounding wires
  - 4 . Fix the disc (5) to the chassis (2) with screws (4)
-