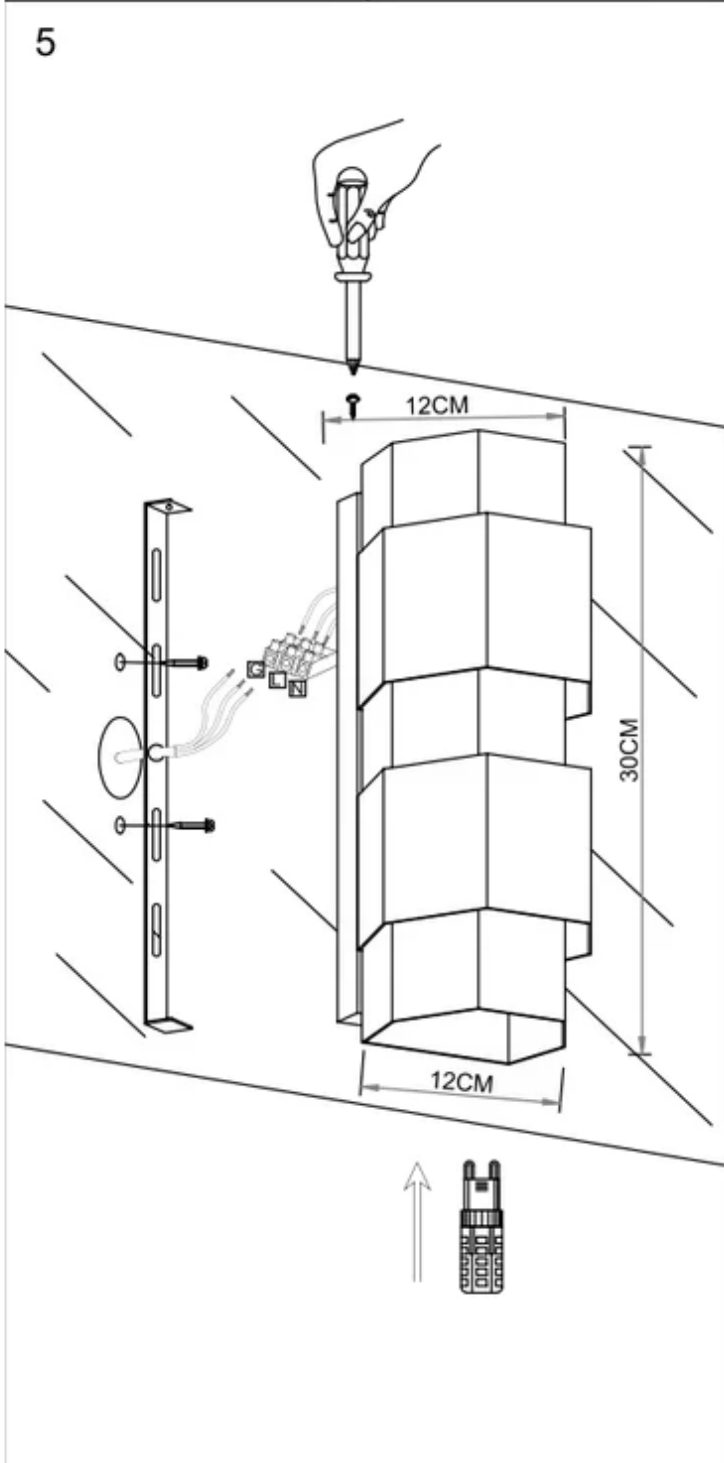
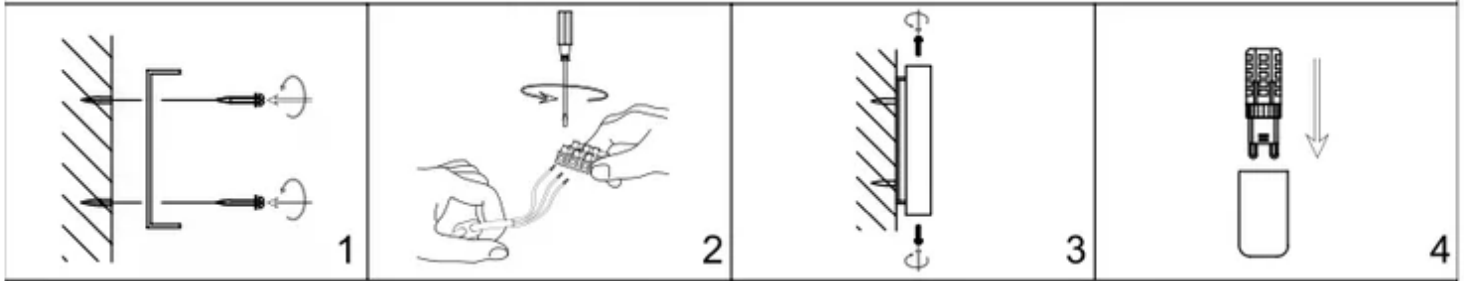


T H E G R A N D *Collection*



IMPORTANT SAFETY INSTRUCTIONS:

1. This fixture has been rated for 2 x 5 Watt, G9 standard bulb
2. Use an authorized and certified electrician for consultation and installation
3. To avoid the risk of fire, do not exceed the recommended wattage.
4. Keep away from children.
5. The manufacturer and distributor accepts no liability for incorrect installation.
6. For indoor use only.

Warnings:

1. Turn-off electricity supply at main circuit panel before installing. Do not connect electricity supply until your light is fully assembled and installed.
2. All wires are connected. Do not pull on the power cord, as a bad connection may result.
3. Do not touch bulb when fixture is turned on or look directly at light bulb.
4. Keep flammable materials away from light bulb.
5. Deviation from instructions may result in a risk of fire or electric shock.

TO ASSEMBLE:

1. Carefully remove all parts from the box and remove all plastic covering.
2. Turn OFF power to the junction box where the light will be installed.
3. Install the light bulb.
4. Release the Mounting bracket from the lamp body, fasten it to the wall by the screws.
5. Connect the ground wire from the fixture to the ground junction box wire (Usually the green or bare wire) and wrap the connection with electrical tape.
Connect the Live wire to the hot junction box wire (Usually black or smooth or red) with a plastic wire nut and wrap the connection with electrical tape.
Connect the neutral wire to the neutral junction box wire (Usually white or ribbed or blue) with a plastic wire nut and wrap the connection with electrical tape.
6. Move the Lamp body toward the mounting bracket, lock it from the side by the screws.
7. Install the lamp bulbs.
8. Restore power to the junction box and test ceiling light fixture.

CARE INSTRUCTIONS:

1. Make sure that the power is off and bulb has cooled before handling.
2. Wipe clean with a dry cloth / mild soapy solution. Do not use corrosive cleaners.
3. The cable/cord of this ceiling light cannot be replaced: If the cable is damaged, do not use the light.