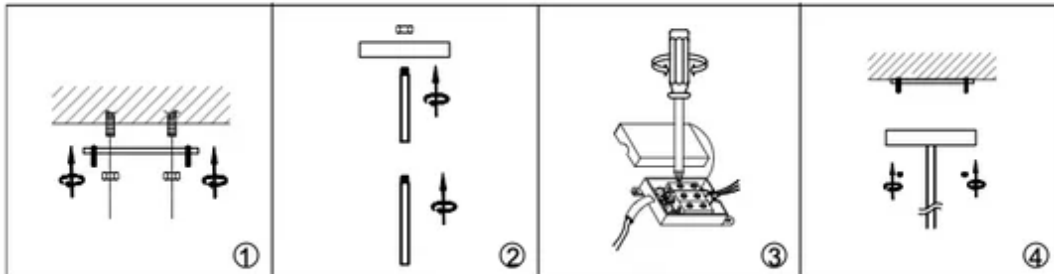


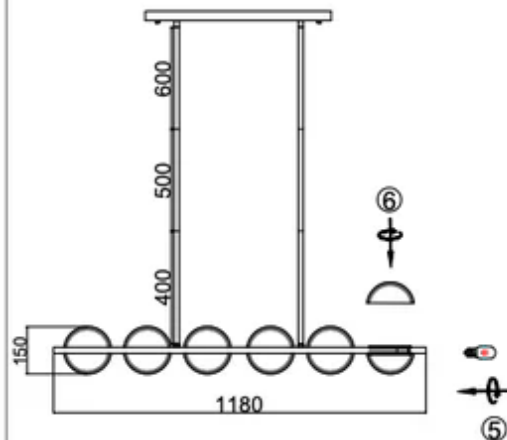
THE GRAND

INTERIOR

ASSEMBLY INSTRUCTIONS



REF/SKU: Sereno Chandelier Alabaster Bronze
Lamp Holder: G9 MAX 3W * 6



INSTALLATION PROGRAM

(Preparation for installation: Carefully remove all parts from the box. Place on a clean and soft surface, avoiding artificial damage.)

1. Fix the mounting plate on the ceiling by screws.
2. Connect the rods with canopy and lamp body by rotating.
3. Connect the wires in the junction box to the external power cord.
4. Push the canopy to the ceiling and lock it with screws.
5. Prepare the light source and install on the corresponding lamp holder by rotating.
6. Put the alabaster lampshade on the corresponding position and fix it by rotating.
7. Restore power to the junction box and test the ceiling light fixture.

ATTENTIONS

Ⓛ WARNINGS

1. Comply with the following safety and installation instructions and keep the operation instructions properly.
2. Technical data: see the label on the lamp.
3. Please do not modify the product. Modification will lead to the failure of the quality assurance mark and may cause the product to be unsafe. If you have no experience with electrical connections, have them professionally installed for you.
4. Do not strike or shake strongly.
5. Attention, please! Always turn off the power supply before installing, maintaining, or repairing lighting equipment. Ensure that the correct type of light fixture is always used and that the maximum power is not exceeded. This product does not come with a bulb.
6. Some parts may become very hot after the light fixture is turned on. To prevent burns, avoid skin contact with these components. Clean indoor fixtures with a dry cloth. Do not expose electrical components to moisture. Do not use chemicals or abrasive cleaning materials.
7. If the lamp is marked with IPX4 waterproof indication, it can be used in wet rooms and outdoors.
8. Components should be on desk, without any defect or out of shape.
9. The bearing of mounting plate should be enough for the lamp.
10. Once weight of chandelier is over 3kg, it should be fixed with embedded chain hoist to make sure not pressure to wire.
11. Incandescent light bulb can not be installed to combustible hook directly, can not cling to fabric shade, power can not higher than maximum marked on lamp.