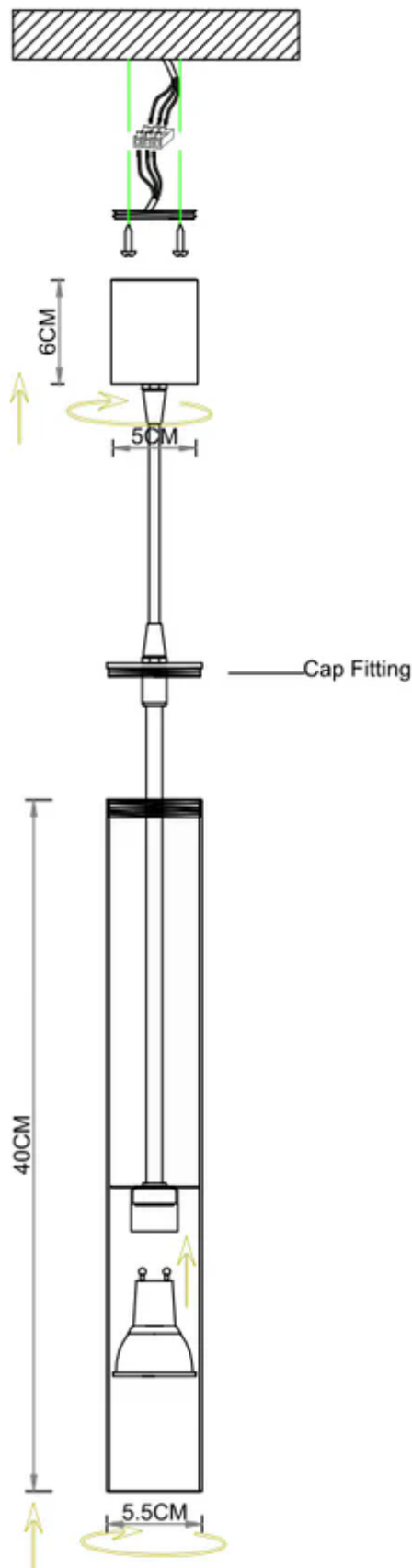


Cautions of installation



IMPORTANT SAFETY INSTRUCTIONS:

1. This fixture has been rated for 1 x 25 Watt, Gu10 standard bulb
2. Use an authorized and certified electrician for consultation and installation.
3. To avoid the risk of fire, do not exceed the recommended wattage.
4. Keep away from children.
5. The manufacturer and distributor accepts no liability for incorrect installation.
6. For indoor use only.

Warnings:

1. Turn-off electricity supply at main circuit panel before installing. Do not connect electricity supply until your ceiling light is fully assembled and installed.
2. All wires are connected. Do not remove the ceiling light from its packaging by pulling on the power cord, as a bad connection may result.
3. Do not touch bulb when fixture is turned on or look directly at light bulb.
4. Keep flammable materials away from light bulb.
5. Deviation from instructions may result in a risk of fire or electric shock.

TO ASSEMBLE:

1. Carefully remove all parts from the box and remove all plastic covering.
2. Turn OFF power to the junction box where the ceiling light will be installed.
3. Screw out the mounting bracket from the canopy.
4. Fasten the mounting bracket to the ceiling by the screws.
5. Release the cap fitting from the lamp body.
6. Install the Gu10 Bulb.
7. Connect the ground wire from the fixture to the ground junction box wire (Usually the green or bare wire) and wrap the connection with electrical tape.
Connect the hot wire to the hot junction box wire (Usually black or smooth) with a plastic wire nut and wrap the connection with electrical tape.
Connect the neutral wire to the neutral junction box wire (Usually white or ribbed) with a plastic wire nut and wrap the connection with electrical tape.
8. Install the lamp body back to the cap fitting.
9. Restore power to the junction box and test ceiling light fixture.

CARE INSTRUCTIONS:

1. Make sure that the power is off and bulb has cooled before handling.
2. Wipe clean with a dry cloth / mild soapy solution. Do not use corrosive cleaners.
3. The cable/cord of this ceiling light cannot be replaced: If the cable is damaged, do not use the light.