

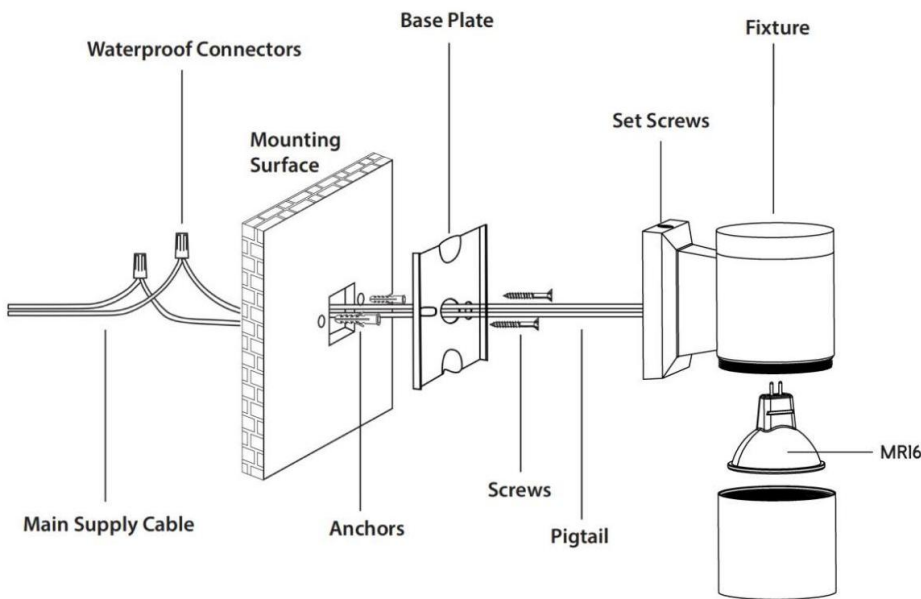
Wall Mount Fixture Installation Instructions

Only for use with low voltage landscape lighting power units with a maximum output rating of 12 volts, 25 amps per secondary
INSTRUCTIONS PERTAINING TO A RISK OF FIRE OR INJURY TO PERSONS

IMPORTANT SAFETY INSTRUCTIONS:

- Please read carefully before installing.
- Consult with a qualified electrical contractor and local electrical codes before installing any electrical product.
- Clean fixture with mild soap. Do not use acid or any other solvent base cleaner.
- Do not submerge fixture in water.
- All fixtures must be installed 10 feet (3.05m) away from a pool, spa or fountain.
- Use fixture with low-voltage outdoor lighting systems only.

WARNING: Luminaires must be installed in accordance with the National Electrical Code (NEC) and local codes. Failure to do so will void the warranty and may result in serious injury and/or damage to the luminaire.



Note: The light of the fixture could only be installed downward.

Step 1: Bulb Installation

1. Open the luminaire by twisting the upper part counterclockwise, separate the upper part away from the fixture.
2. Insert the MR16 bulb 12 Vac, max 35W (excluded) into the fixture.
3. Close the luminaire by pushing the upper part onto the fixture, then twisting to clockwise.

Step 2: Mounting and Wiring steps:

1. To prevent electric shock, disconnect transformer from electrical supply before installation or service.
 2. Drill a hole for the wire and feed it through.
 3. Mount back plate to the surface.
 4. Attach fixture to back plate using the two set screws.
5. Connect main supply cable to the pigtails using waterproof connectors coil wires behind mounting surface.
 6. Strip the two (2) leads from the luminaire pigtail wire. Using the two (2) silicone filled safety connectors (excluded), connect the leads from the luminaire to the main supply cable leads.

Note: Luminaires are supplied with 18-2 cable pigtail for secure connection to the main low voltage cable. The fixture supply cable is to be protected by routing in close proximity to the luminaire.

RELAMPING/SERVICE INSTRUCTIONS:

1. To prevent electrical shock, disconnect transformer from electrical supply before service, allow luminaires to cool.
2. Grasp luminaire housing and pull straight off with a twisting motion to expose lamp.
3. Replace lamp with correct wattage and type of lamp marked on luminaire label.
4. Replace top assembly promptly after installing lamp, use a twisting motion while pushing down, replace thumb screw (if used)

WARNING: TO REDUCE THE RISK OF FIRE, OR INJURY TO PERSONS:

- ✧ Lighted Lamp is HOT. Lamp is hot when illuminated; do not touch when lamp is on.
- ✧ Turn off/unplug electrical power before modifying the lighting system
- ✧ Turn off/unplug and Allow fixture to cool before touching or re-lamping fixture!
- ✧ Lamps get HOT quickly! Contact only switch/plug when turning on
- ✧ Do not touch hot lens, guard, or enclosure
- ✧ Keep away from potential flammable materials, structures and/or landscapes.
- ✧ Do not touch the lamp directly at any time. Use a soft cloth. Oil from skin may damage lamp.
- ✧ Do not operate fixture if cover, fitting and/or shield is damaged or missing.

FOR OUTDOOR USE ONLY
SAVE THESE INSTRUCTIONS